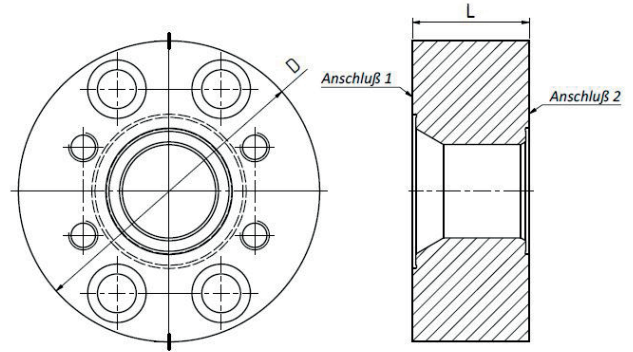


|   |                  |                  |
|---|------------------|------------------|
| <b>Bestellbezeichnung:</b><br>ordering code:            | <b>S355J2 *1</b> | <b>1.4404 *1</b> |
| • Haltering Reduzierblock<br>retainer ring reducerblock | RRF-RB-...-...   | RRF-RB-X-...-... |



| S.A.E. Baugröße<br>nominal flange size        | Typ<br>type    |     |    |             |             | Gewicht<br>weight |
|---|----------------|-----|----|-------------|-------------|-------------------|
|   |                | D   | L  | Anschluss 1 | Anschluss 2 |                   |
| inch  |                |     |    |             |             | kg                |
| <b>Standarddruckreihe / Standard pressure</b> |                |     |    |             |             |                   |
| 3/4" - 1/2"                                   | RRF-RB-602-601 | 80  | 25 | RRF-6002    | RRF-6001    | 0,80              |
| 1" - 1/2"                                     | RRF-RB-603-601 | 88  | 30 | RRF-6003    | RRF-6001    | 1,15              |
| 1" - 3/4"                                     | RRF-RB-603-602 | 88  | 30 | RRF-6003    | RRF-6002    | 1,11              |
| 1 1/4" - 1/2"                                 | RRF-RB-604-601 | 103 | 35 | RRF-6004    | RRF-6001    | 1,85              |
| 1 1/4" - 3/4"                                 | RRF-RB-604-602 | 103 | 35 | RRF-6004    | RRF-6002    | 1,81              |
| 1 1/4" - 1"                                   | RRF-RB-604-603 | 103 | 35 | RRF-6004    | RRF-6003    | 1,74              |
| 1 1/2" - 3/4"                                 | RRF-RB-605-602 | 120 | 40 | RRF-6005    | RRF-6002    | 2,84              |
| 1 1/2" - 1"                                   | RRF-RB-605-603 | 120 | 40 | RRF-6005    | RRF-6003    | 2,78              |
| 1 1/2" - 1 1/4"                               | RRF-RB-605-604 | 120 | 40 | RRF-6005    | RRF-6004    | 2,68              |
| 2" - 1"                                       | RRF-RB-606-603 | 148 | 40 | RRF-6006    | RRF-6003    | 4,28              |
| 2" - 1 1/4"                                   | RRF-RB-606-604 | 148 | 40 | RRF-6006    | RRF-6004    | 4,20              |
| 2" - 1 1/2"                                   | RRF-RB-606-605 | 148 | 40 | RRF-6006    | RRF-6005    | 4,08              |
| 2 1/2" - 1 1/4"                               | RRF-RB-607-604 | 191 | 45 | RRF-6007    | RRF-6004    | 8,02              |
| 2 1/2" - 1 1/2"                               | RRF-RB-607-605 | 191 | 45 | RRF-6007    | RRF-6005    | 7,92              |
| 2 1/2" - 2"                                   | RRF-RB-607-606 | 191 | 45 | RRF-6007    | RRF-6006    | 7,59              |
| 3" - 1 1/2"                                   | RRF-RB-608-605 | 229 | 60 | RRF-6008    | RRF-6005    | 15,88             |
| 3" - 2"                                       | RRF-RB-608-606 | 229 | 60 | RRF-6008    | RRF-6006    | 15,51             |
| 3" - 2 1/2"                                   | RRF-RB-608-607 | 229 | 60 | RRF-6008    | RRF-6007    | 14,81             |

\*1 oder vergleichbare Güte / or comparable material  
Oberfläche: CR-6 frei / surface CR-6 free