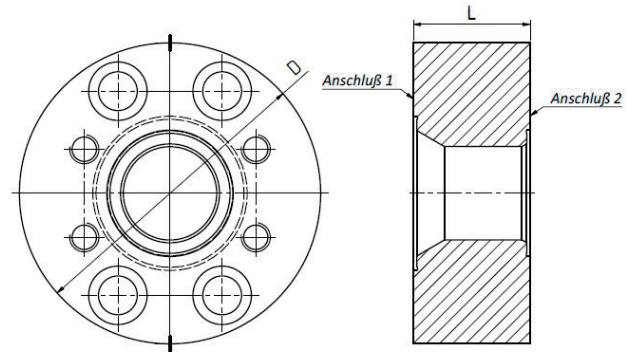


Bestellbezeichnung: ordering code:	S355J2^{*1}	1.4404^{*1}
• Haltering Reduzierblock retainer ring reducerblock	RRF-RB-...-...	RRF-RB-X-...-...



S.A.E. Baugröße nominal flange size	Typ type	D	L	Anschluss 1	Anschluss 2	Gewicht weight
Inch						kg
Standarddruckreihe / Standard pressure						
3/4" - 1/2"	RRF-RB-302-301	80	25	RRF-3002	RRF-3001	0,80
1" - 1/2"	RRF-RB-303-301	84	30	RRF-3003	RRF-3001	1,08
1" - 3/4"	RRF-RB-303-302	84	30	RRF-3003	RRF-3002	1,05
1 1/4" - 1/2"	RRF-RB-304-301	88	35	RRF-3004	RRF-3001	1,36
1 1/4" - 3/4"	RRF-RB-304-302	88	35	RRF-3004	RRF-3002	1,36
1 1/4" - 1"	RRF-RB-304-303	88	35	RRF-3004	RRF-3003	1,33
1 1/2" - 3/4"	RRF-RB-305-302	103	40	RRF-3005	RRF-3002	2,14
1 1/2" - 1"	RRF-RB-305-303	103	40	RRF-3005	RRF-3003	2,11
1 1/2" - 1 1/4"	RRF-RB-305-304	103	40	RRF-3005	RRF-3004	2,04
2" - 1"	RRF-RB-306-303	113	40	RRF-3006	RRF-3003	2,55
2" - 1 1/4"	RRF-RB-306-304	113	40	RRF-3006	RRF-3004	2,50
2" - 1 1/2"	RRF-RB-306-305	113	40	RRF-3006	RRF-3005	2,40
2 1/2" - 1 1/4"	RRF-RB-307-304	128	40	RRF-3007	RRF-3004	3,22
2 1/2" - 1 1/2"	RRF-RB-307-305	128	40	RRF-3007	RRF-3005	3,15
2 1/2" - 2"	RRF-RB-307-306	128	40	RRF-3007	RRF-3006	2,99
3" - 1 1/2"	RRF-RB-308-305	158	40	RRF-3008	RRF-3005	4,90
3" - 2"	RRF-RB-308-306	158	40	RRF-3008	RRF-3006	4,74
3" - 2 1/2"	RRF-RB-308-307	158	40	RRF-3008	RRF-3007	4,74

*1 oder vergleichbare Güte / or comparable material
Oberfläche: CR-6 frei / surface CR-6 free