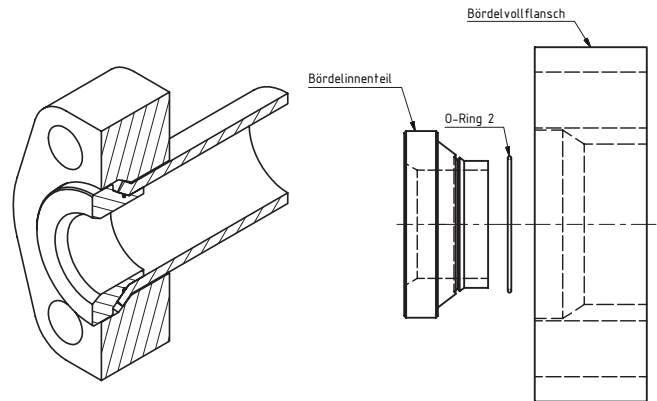


Bestellbezeichnung: ordering code:	S355J2^{*1}	1.4404^{*1}
• nur Bördelinnenteil only flare flange	FFB-0...-...	FFB-X-0...
• Bördelvollflansch, Bördelinnenteil und O-Ring (Bördelhaltehülse) flange, flare flange and o-ring (flare shell)	FFB-...-...	FFB-X-...-...

S.A.E. Baugröße nominal flange size	Rohrmaß pipe diameter	Typ type	Einzelteile individual parts				Gewicht weight
			Bördelinnenteil	O-Ring 2	Bördelhaltehülse	Bördel-vollflansch	
kg/cm ²						kg	
1/2"	16x2,0	FFB-301-16x2	FFB-001-16x2	O-RING-12x1	HFF-001-16	FF-3001	0,22
1/2"	18x2,0	FFB-301-18x2	FFB-001-18x2	O-RING-14x1	HFF-001-18	FF-3001	0,22
1/2"	19,05x2,11	FFB-301-19,05x2,11	FFB-001-19,05x2,11	O-RING-14x1	-	FF-3001	0,22
1/2"	19,05x2,41	FFB-301-19,05x2,41	FFB-001-19,05x2,41	O-RING-14x1	-	FF-3001	0,22
1/2"	19,05x2,77	FFB-301-19,05x2,77	FFB-001-19,05x2,41	O-RING-14x1	-	FF-3001	0,22
1/2"	20x2,0	FFB-301-20x2	FFB-001-20x2	O-RING-16x1	HFF-001-20	FF-3001	0,22
1/2"	21,3x3,7	FFB-301-21,3x3,7	FFB-001-21,3x3,7	O-RING-14x1	-	FF-3001	0,22
1/2"	21,3x4,8	FFB-301-21,3x4,8	FFB-001-21,3x4,8	O-RING-14x1	-	FF-3001	0,22
1/2"	25x2,5	FFB-301-25x2,5	FFB-001-25x2,5	O-RING-20x1	-	FF-3001	0,22
1/2"	30x3,0	FFBA-301-30x3	FFB-001-30x3	O-RING-20x1	-	FF-3001	0,22
3/4"	20x2,0	FFB-302-20x2	FFB-002-20x2	O-RING-16x1	HFF-002-20	FF-3002	0,4
3/4"	20x2,5	FFB-302-20x2,5	FFB-002-20x2,5	O-RING-15x1	HFF-002-20	FF-3002	0,3
3/4"	25x2,5	FFB-302-25x2,5	FFB-002-25x2,5	O-RING-20x1	HFF-002-25	FF-3002	0,35
3/4"	25x3,0	FFB-302-25x3	FFB-002-25x3	O-RING-19x1	HFF-002-25	FF-3002	0,35
3/4"	26,7x3,91	FFB-302-26,7x3,91	FFB-002-26,7x3,91	O-RING-20x1	-	FF-3002	0,3
3/4"	26,7x5,56	FFB-302-26,7x5,56	FFB-002-26,7x5,56	O-RING-16x1	-	FF-3002	0,3
3/4"	30x3,0	FFB-302-30x3	FFB-002-30x3	O-RING-23x1	-	FF-3002	0,3
1"	25x2,5	FFB-303-25x2,5	FFB-003-25x2,5	O-RING-20x1	HFF-003-25	FF-3003	0,5
1"	25x3,0	FFB-303-25x3	FFB-003-25x3	O-RING-19x1	HFF-003-25	FF-3003	0,5
1"	30x3,0	FFB-303-30x3	FFB-003-30x3	O-RING-23x1	HFF-003-30	FF-3003	0,45
1"	30x4,0	FFB-303-30x4	FFB-003-30x4	O-RING-22x1	HFF-003-30	FF-3003	0,45
1"	33,4x3,38	FFB-303-33,4-3,38	FFB-003-33,4-3,38	O-RING-25x1	-	FF-3003	0,5
1"	33,4x4,55	FFB-303-33,4-4,55	FFB-003-33,4-4,55	O-RING-23x1	-	FF-3003	0,5
1"	38x4,0	FFB-303-38x4	FFB-003-38x4	O-RING-30x1	-	FF-3003	0,4

*1 oder vergleichbare Güte / or comparable material

Der angeführte maximale Betriebsdruck ist bezogen auf den Flansch! Der tatsächliche Betriebsdruck wird bestimmt durch das Rohr (Wandstärke) sowie die Güte des Rohres!
The maximum recommended working pressure is based on the flange. The working pressure of the system is determined by the tube (thickness) and by the steel quality of the tube!



Bestellbezeichnung: ordering code:	S355J2^{*1}	1.4404^{*1}
• nur Bördelinnenteil only flare flange	FFB-0...-...	FFB-X-0...
• Bördelvollflansch, Bördelinnenteil und O-Ring (Bördelhaltehülse) flange, flare flange and o-ring (flare shell)	FFB-...-...	FFB-X-...-...

S.A.E. Baugröße nominal flange size	Rohrmaß pipe diameter	Typ type	Einzelteile individual parts				Gewicht weight kg
			Bördelinnenteil	O-Ring 2	Bördelhaltehülse	Bördel-vollflansch	
1 1/4"	30x3,0	FFB-304-30x3	FFB-004-30x3	O-RING-23x1	HFF-004-30	FF-3004	0,6
1 1/4"	30x4,0	FFB-304-30x4	FFB-004-30x4	O-RING-22x1	HFF-004-30	FF-3004	0,5
1 1/4"	38x4,0	FFB-304-38x4	FFB-004-38x4	O-RING-30x1	HFF-004-38	FF-3004	0,6
1 1/4"	38x5,0	FFB-304-38x5	FFB-004-38x5	O-RING-28x1	HFF-004-38	FF-3004	0,55
1 1/4"	42x4,0	FFB-304-42x4	FFB-004-42x4	O-RING-34x1	-	FF-3004	0,5
1 1/4"	42,2X3,56	FFB-304-42,4x3,56	FFB-004-42,4x3,56	O-RING-34x1	-	FF-3004	0,6
1 1/4"	42,2X4,85	FFB-304-42,4x4,85	FFB-004-42,4x4,85	O-RING-32x1	-	FF-3004	0,6
1 1/2"	30x3,0	FFB-305-30x3	FFB-005-30x3	O-RING-23x1	HFF-005-30	FF-3005	0,9
1 1/2"	38x4,0	FFB-305-38-4	FFB-005-38-4	O-RING-30x1	HFF-005-38	FF-3005	1
1 1/2"	42x4,0	FFB-305-42-4	FFB-005-42-4	O-RING-34x1	HFF-005-42	FF-3005	1
1 1/2"	48,3X3,68	FFB-305-48,3x3,68	FFB-005-48,3x3,68	O-RING-41X1,78	-	FF-3005	0,9
1 1/2"	48,3X5,08	FFB-305-48,3x5,08	FFB-005-48,3x5,08	O-RING-37,82X1,78	-	FF-3005	0,9
1 1/2"	50x5,0	FFB-305-50x5	FFB-005-50x5	O-RING-41X1,78	-	FF-3005	0,9
2"	50x5,0	FFB-306-50x5	FFB-006-50x5	O-RING-41X1,78	HFF-006-50	FF-3006	1,4
2"	60x5,0	FFB-306-60x5	FFB-006-60x5	O-RING-50,52X1,78	-	FF-3006	1,25
2"	60x6,0	FFB-306-60x6	FFB-006-60x6	O-RING-47,35X1,78	-	FF-3006	1,25
2"	60,3X3,91	FFB-306-60,3x3,91	FFB-006-60,3x3,91	O-RING-50,52X1,78	-	FF-3006	1,4
2"	60,3X5,54	FFB-306x60,3x5,54	FFB-006x60,3x5,54	O-RING-47,35X1,78	-	FF-3006	1,4
2 1/2"	60x5,0	FFB-307-60x5	FFB-007-60x5	O-RING-50,52X1,78	HFF-007-60	FF-3007	2,1
2 1/2"	73x7,0	FFB-307-73x7	FFB-007-73x7	O-RING-56,8x1,78	-	FF-3007	1,9
2 1/2"	73x5,16	FFB-307-73x5,16	FFB-007-73x5,16	O-RING-63,22X1,78	-	FF-3007	1,9
2 1/2"	73x7,01	FFB-307-73x7,01	FFB-007-73x7,01	O-RING-56,87X1,78	-	FF-3007	1,9
2 1/2"	75x5,0	FFB-307-75x5	FFB-007-75x5	O-RING-63,22X1,78	-	FF-3007	1,9
3"	73x3,0	FFB-308-73x3	FFB-008-73x3	O-RING-63,22X1,78	HFF-008-73	FF-3008	2,9
3"	88,9X5,49	FFB-308-88,9x5,49	FFB-008-88,9x5,49	O-RING-79X1,78	-	FF-3008	3,1
3"	88,9X7,62	FFB-308-88,9x7,62	FFB-008-88,9x7,62	O-RING-72,75X1,78	-	FF-3008	3,1
3"	90x5,0	FFB-308-90x5	FFB-008x90x5	O-RING-79X1,78	-	FF-3008	3,1

*1 oder vergleichbare Güte / or comparable material

Der angeführte maximale Betriebsdruck ist bezogen auf den Flansch! Der tatsächliche Betriebsdruck wird bestimmt durch das Rohr (Wandstärke) sowie die Güte des Rohres!
The maximum recommended working pressure is based on the flange. The working pressure of the system is determined by the tube (thickness) and by the steel quality of the tube!