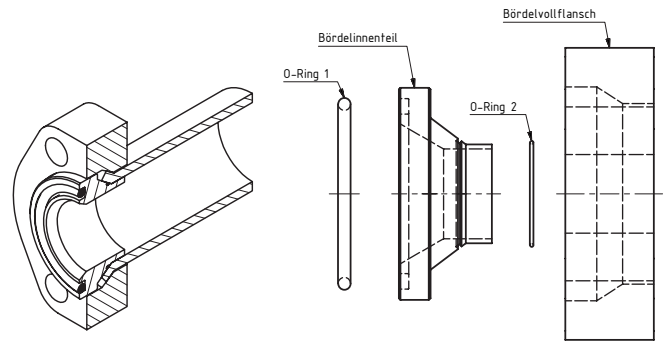


Bestellbezeichnung: ordering code:	S355J2^{*1}	1.4404^{*1}
• nur Bördelinnenteil only flare flange	FFA-0...-...	FFA-X-0...
• Bördelvollflansch, Bördelteil und 2x O-Ring (Bördelhaltehülse) flange, flare flange and 2 x o-ring (flare shell)	FFA-...-...	FFA-X-...-...

S.A.E. Baugröße nominal flange size	Rohrmaß pipe diameter	Flansch Typ flange type	Einzelteile individual parts					Gewicht weight
			Bördelinnenteil	O-Ring 1	O-Ring 2	Bördelhaltehülse	Bördelvollflansch	
Inch								kg
Hochdruckreihe / High pressure								
1/2"	16x2,0	FFA-301-16x2	FFA-001-16x2	O-Ring-18,64x3,53	O-RING-12x1	HFF-001-16	FF-3001	0,22
1/2"	18x2,0	FFA-301-18x2	FFA-001-18x2	O-Ring-18,64x3,53	O-RING-14x1	HFF-001-18	FF-3001	0,22
1/2"	19,05x2,11	FFA-301-19,05x2,11	FFA-001-19,05x2,11	O-Ring-18,64x3,53	O-RING-14x1	–	FF-3001	0,22
1/2"	19,05x2,41	FFA-301-19,05x2,41	FFA-001-19,05x2,41	O-Ring-18,64x3,53	O-RING-14x1	–	FF-3001	0,22
1/2"	19,05x2,77	FFA-301-19,05x2,77	FFA-001-19,05x2,41	O-Ring-18,64x3,53	O-RING-14x1	–	FF-3001	0,22
1/2"	20x2,0	FFA-301-20x2	FFA-001-20x2	O-Ring-18,64x3,53	O-RING-16x1	HFF-001-20	FF-3001	0,22
1/2"	21,3x3,7	FFA-301-21,3x3,7	FFA-001-21,3x3,7	O-Ring-18,64x3,53	O-RING-14x1	–	FF-3001	0,22
1/2"	21,3x4,8	FFA-301-21,3x4,8	FFA-001-21,3x4,8	O-Ring-18,64x3,53	O-RING-14x1	–	FF-3001	0,22
1/2"	25x2,5	FFA-301-25x2,5	FFA-001-25x2,5	O-Ring-18,64x3,53	O-RING-20x1	–	FF-3001	0,22
1/2"	30x3,0	FFA-301-30x3	FFA-001-30x3	O-Ring-18,64x3,53	O-RING-20x1	–	FF-3001	0,22
3/4"	20x2,0	FFA-302-20x2	FFA-002-20x2	O-RING-25,0X3,53	O-RING-16x1	HFF-002-20	FF-3002	0,4
3/4"	20x2,5	FFA-302-20x2,5	FFA-002-20x2,5	O-RING-25,0X3,53	O-RING-15x1	HFF-002-20	FF-3002	0,3
3/4"	25x2,5	FFA-302-25x2,5	FFA-002-25x2,5	O-RING-25,0X3,53	O-RING-20x1	HFF-002-25	FF-3002	0,35
3/4"	25x3,0	FFA-302-25x3	FFA-002-25x3	O-RING-25,0X3,53	O-RING-19x1	HFF-002-25	FF-3002	0,35
3/4"	26,7x3,91	FFA-302-26,7x3,91	FFA-002-26,7x3,91	O-RING-25,0X3,53	O-RING-20x1	–	FF-3002	0,3
3/4"	26,7x5,56	FFA-302-26,7x5,56	FFA-002-26,7x5,56	O-RING-25,0X3,53	O-RING-16x1	–	FF-3002	0,3
3/4"	30x3,0	FFA-302-30x3	FFA-002-30x3	O-RING-25,0X3,53	O-RING-23x1	–	FF-3002	0,3
1"	25x2,5	FFA-303-25x2,5	FFA-003-25x2,5	O-RING-32,9X3,53	O-RING-20x1	HFF-003-25	FF-3003	0,5
1"	25x3,0	FFA-303-25x3	FFA-003-25x3	O-RING-32,9X3,53	O-RING-19x1	HFF-003-25	FF-3003	0,5
1"	30x3,0	FFA-303-30x3	FFA-003-30x3	O-RING-32,9X3,53	O-RING-23x1	HFF-003-30	FF-3003	0,45
1"	30x4,0	FFA-303-30x4	FFA-003-30x4	O-RING-32,9X3,53	O-RING-22x1	HFF-003-30	FF-3003	0,45
1"	33,4X3,38	FFA-303-33,4-3,38	FFA-003-33,4-3,38	O-RING-32,9X3,53	O-RING-25x1	–	FF-3003	0,5
1"	33,4X4,55	FFA-303-33,4-4,55	FFA-003-33,4-4,55	O-RING-32,9X3,53	O-RING-23x1	–	FF-3003	0,5
1"	38x4,0	FFA-303-38x4	FFA-003-38x4	O-RING-32,9X3,53	O-RING-30x1	–	FF-3003	0,4

*1 oder vergleichbare Güte / or comparable material

Der angeführte maximale Betriebsdruck ist bezogen auf den Flansch! Der tatsächliche Betriebsdruck wird bestimmt durch das Rohr (Wandstärke) sowie die Güte des Rohres!
The maximum recommended working pressure is based on the flange. The working pressure of the system is determined by the tube (thickness) and by the steel quality of the tube!



Bestellbezeichnung: ordering code:	S355J2^{*1}	1.4404^{*1}
• nur Bördelinnenflansch only flare flange	FFA-0...-...	FFA-X-0...
• Bördelvollflansch, Bördelteil und 2x O-Ring (Bördelhaltehülse) flange, flare flange and 2 x o-ring (flare shell)	FFA-...-...	FFA-X-...-...

S.A.E. Baugröße nominal flange size	Rohrmaß pipe diameter	Flansch Typ flange type	Einzelteile individual parts					Gewicht weight kg
			Bördelinnenflansch	O-Ring 1	O-Ring 2	Bördelhaltehülse	Bördelvollflansch	
Hochdruckreihe / High pressure								
1 1/4"	30x3,0	FFA-304-30x3	FFA-004-30x3	O-RING-37,7X3,53	O-RING-23x1	HFF-004-30	FF-3004	0,6
1 1/4"	30x4,0	FFA-304-30x4	FFA-004-30x4	O-RING-37,7X3,53	O-RING-22x1	HFF-004-30	FF-3004	0,5
1 1/4"	38x4,0	FFA-304-38x4	FFA-004-38x4	O-RING-37,7X3,53	O-RING-30x1	HFF-004-38	FF-3004	0,6
1 1/4"	38x5,0	FFA-304-38x5	FFA-004-38x5	O-RING-37,7X3,53	O-RING-28x1	HFF-004-38	FF-3004	0,55
1 1/4"	42x4,0	FFA-304-42x4	FFA-004-42x4	O-RING-37,7X3,53	O-RING-34x1	-	FF-3004	0,5
1 1/4"	42,2X3,56	FFA-304-42,4x3,56	FFA-004-42,4x3,56	O-RING-37,7X3,53	O-RING-34x1	-	FF-3004	0,6
1 1/4"	42,2X4,85	FFA-304-42,4x4,85	FFA-004-42,4x4,85	O-RING-37,7X3,53	O-RING-32x1	-	FF-3004	0,6
1 1/2"	30x3,0	FFA-305-30x3	FFA-005-30x3	O-Ring-47,2X3,53	O-RING-23x1	HFF-005-30	FF-3005	0,9
1 1/2"	38x4,0	FFA-305-38-4	FFA-005-38-4	O-RING-47,2X3,53	O-RING-30x1	HFF-005-38	FF-3005	1
1 1/2"	42x4,0	FFA-305-42-4	FFA-005-42-4	O-RING-47,2X3,53	O-RING-34x1	HFF-005-42	FF-3005	1
1 1/2"	48,3X3,68	FFA-305-48,3x3,68	FFA-005-48,3x3,68	O-RING-47,2X3,53	O-RING-41X1,78	-	FF-3005	0,9
1 1/2"	48,3X5,08	FFA-305-48,3x5,08	FFA-005-48,3x5,08	O-RING-47,2X3,53	O-RING-37,82X1,78	-	FF-3005	0,9
1 1/2"	50x5,0	FFA-305-50x5	FFA-005-50x5	O-RING-47,2X3,53	O-RING-41X1,78	-	FF-3005	0,9
2"	50x5,0	FFA-306-50x5	FFA-006-50x5	O-RING-56,7X3,53	O-RING-41X1,78	HFF-006-50	FF-3006	1,4
2"	60x5,0	FFA-306-60x5	FFA-006-60x5	O-RING-56,7X3,53	O-RING-50,52X1,78	-	FF-3006	1,25
2"	60x6,0	FFA-306-60x6	FFA-006-60x6	O-RING-56,7X3,53	O-RING-47,35X1,78	-	FF-3006	1,25
2"	60,3X3,91	FFA-306-60,3x3,91	FFA-006-60,3x3,91	O-RING-56,7X3,53	O-RING-50,52X1,78	-	FF-3006	1,4
2"	60,3X5,54	FFA-306x60,3x5,54	FFA-006x60,3x5,54	O-RING-56,7X3,53	O-RING-47,35X1,78	-	FF-3006	1,4
2 1/2"	60x5,0	FFA-307-60x5	FFA-007-60x5	O-RING-69,4X3,53	O-RING-50,52X1,78	HFF-007-60	FF-3007	2,1
2 1/2"	73x7,0	FFA-307-73x7	FFA-007-73x7	O-RING-69,4X3,53	O-RING-56,8x1,78	-	FF-3007	1,9
2 1/2"	73x5,16	FFA-307-73x5,16	FFA-007-73x5,16	O-RING-69,4X3,53	O-RING-63,22X1,78	-	FF-3007	1,9
2 1/2"	73x7,01	FFA-307-73x7,01	FFA-007-73x7,01	O-RING-69,4X3,53	O-RING-56,87X1,78	-	FF-3007	1,9
2 1/2"	75x5,0	FFA-307-75x5	FFA-007-75x5	O-RING-69,4X3,53	O-RING-63,22X1,78	-	FF-3007	1,9
3"	73x3,0	FFA-308-73x3	FFA-008-73x3	O-RING-85,3X3,53	O-RING-63,22X1,78	HFF-008-73	FF-3008	2,9
3"	88,9X5,49	FFA-308-88,9x5,49	FFA-008-88,9x5,49	O-RING-85,3X3,53	O-RING-79X1,78	-	FF-3008	3,1
3"	88,9X7,62	FFA-308-88,9x7,62	FFA-008-88,9x7,62	O-RING-85,3X3,53	O-RING-72,75X1,78	-	FF-3008	3,1
3"	90x5,0	FFA-308-90x5	FFA-008x90x5	O-RING-85,3X3,53	O-RING-79X1,78	-	FF-3008	3,1

*1 oder vergleichbare Güte / or comparable material

Der angeführte maximale Betriebsdruck ist bezogen auf den Flansch! Der tatsächliche Betriebsdruck wird bestimmt durch das Rohr (Wandstärke) sowie die Güte des Rohres!
 The maximum recommended working pressure is based on the flange. The working pressure of the system is determined by the tube (thickness) and by the steel quality of the tube!