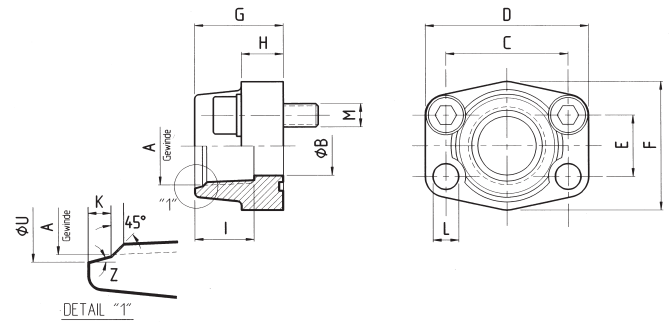


|   |                             |                                     |
|---|-----------------------------|-------------------------------------|
| <b>Bestellbezeichnung:</b><br>ordering code:  | <b>S355J2</b> <sup>*1</sup> | <b>1.4404</b> <sup>*1</sup><br>316L |
| • nur Flansch<br>flange only  | AFS-...T                    | AFX-...T                            |
| • incl. metrischem Schraubensatz<br>und O-Ring<br>including metric bolts and o-ring | AFS-...TM                   | AFX-...TMX                          |
| • incl. UNC Schraubensatz<br>und O-Ring<br>including UNC bolts and o-ring           | AFS-...TU                   | AFX-...TUX                          |

| maximaler Betriebsdruck<br>maximum recommended working pressure | S.A.E. Baugröße<br>nominal flange size | Typ type  | Abmessungen<br>dimensions                     |    |      |    |      |    |    |    |    |      |      |     |     | Schrauben<br>bolts |              | Gewicht<br>weight |      |  |
|---|--|-----------|---|----|------|----|------|----|----|----|----|------|------|-----|-----|--------------------|--------------|-------------------|------|--|
|   |  |           | A   | B  | C    | D  | E    | F  | G  | H  | I  | L    | U    | K   | Z   | M                  | kg           |                   |      |  |
| kg/cm <sup>2</sup>  | inch                                   |           |   |    |      |    |      |    |    |    |    |      |      |     |     |                    |              | metr.             | unc. |  |
|   |  |           | <b>Standarddruckreihe / Standard pressure</b> |    |      |    |      |    |    |    |    |      |      |     |     |                    |              |                   |      |  |
| Schraube Festigkeitskl.<br>10.9                                 |  |           |   |    |      |    |      |    |    |    |    |      |      |     |     |                    |              |                   |      |  |
| 350   | 1/2"                                   | AFS 080 T | 3/4"-16UNF                                    | 13 | 38,1 | 54 | 17,5 | 46 | 36 | 16 | 17 | 9,0  | 20,6 | 2,5 | 15° | M 8x30             | 5/16 x 1 1/4 | 0,25              |      |  |
| 350   | 3/4"                                   | AFS 100 T | 1 1/16"-12UN                                  | 19 | 47,6 | 65 | 22,3 | 50 | 36 | 18 | 23 | 11,0 | 29,2 | 3,3 | 15° | M 10x35            | 3/8 x 1 1/2  | 0,39              |      |  |
| 320   | 1"                                     | AFS 102 T | 1 5/16"-12UN                                  | 25 | 52,4 | 70 | 26,2 | 55 | 38 | 18 | 23 | 11,0 | 35,5 | 3,3 | 15° | M 10x35            | 3/8 x 1 1/2  | 0,46              |      |  |
| 280   | 1 1/4"                                 | AFS 104 T | 1 5/8"-12UN                                   | 32 | 58,7 | 79 | 30,2 | 68 | 41 | 21 | 23 | 11,5 | 43,5 | 3,3 | 15° | M 10x40            | 7/16 x 1 1/2 | 0,66              |      |  |
| 210   | 1 1/2"                                 | AFS 106 T | 1 7/8"-12UN                                   | 38 | 69,9 | 93 | 35,7 | 78 | 45 | 25 | 23 | 13,5 | 49,8 | 3,3 | 15° | M 12x45            | 1/2 x 1 3/4  | 1,05              |      |  |

\*1 oder vergleichbare Güte / or comparable material



|   |                            |                                    |
|---|----------------------------|------------------------------------|
| <b>Bestellbezeichnung:</b><br>ordering code:  | <b>S355J2<sup>*1</sup></b> | <b>1.4404<sup>*1</sup></b><br>316L |
| • nur Flansch<br>flange only  | AFS-...T                   | AFX-...T                           |
| • incl. metrischem Schraubensatz<br>und O-Ring<br>including metric bolts and o-ring | AFS-...TM                  | AFX-...TMX                         |
| • incl. UNC Schraubensatz<br>und O-Ring<br>including UNC bolts and o-ring           | AFS-...TU                  | AFX-...TUX                         |

| maximaler Betriebsdruck<br>maximum recommended working pressure | S.A.E. Baugröße<br>nominal flange size | Typ<br>type     | Abmessungen<br>dimensions |    |      |     |      |    |    |    |    |      |      |     |     | Schrauben<br>bolts |              | Gewicht<br>weight |    |
|---|--|-----------------|---------------------------|----|------|-----|------|----|----|----|----|------|------|-----|-----|--------------------|--------------|-------------------|----|
|   |  |                 | A                         | B  | C    | D   | E    | F  | G  | H  | I  | L    | U    | K   | Z   | M                  |              |                   | kg |
| kg/cm <sup>2</sup>  | inch                                   |                 |                           |    |      |     |      |    |    |    |    |      |      |     |     |                    |              |                   |    |
| Schraube<br>Festigkeitskl.<br>10.9                              | Hochdruckreihe / High pressure         |                 |                           |    |      |     |      |    |    |    |    |      |      |     |     |                    | metr.        | unc.              |    |
| 420   | 1/2"                                   | AFS 401 T       | 3/4"-16UNF                | 13 | 40,5 | 54  | 18,2 | 46 | 36 | 16 | 17 | 9,0  | 20,6 | 2,5 | 15° | M 8x30             | 5/16 x 1 1/4 | 0,26              |    |
| 420   | 3/4"                                   | AFS 402 T       | 1 1/16"-12UN              | 19 | 50,8 | 71  | 23,8 | 55 | 35 | 21 | 23 | 11,0 | 29,3 | 3,3 | 15° | M 10x35            | 3/8 x 1 1/2  | 0,50              |    |
| 420   | 1"                                     | AFS 403 T       | 1 5/16"-12UN              | 25 | 57,2 | 81  | 27,8 | 65 | 42 | 25 | 23 | 13,0 | 35,5 | 3,3 | 15° | M 12x45            | 7/16 x 1 1/2 | 0,76              |    |
| 420   | 1 1/4"                                 | AFS 404 T       | 1 5/8"-12UN               | 32 | 66,6 | 95  | 31,8 | 78 | 45 | 27 | 23 | 15,0 | 43,5 | 3,3 | 15° | M 14x50            | –            | 1,20              |    |
| 420   | 1 1/4"                                 | AFS 404 TL=13,5 | 1 5/8"-12UN               | 32 | 66,6 | 95  | 31,8 | 78 | 45 | 27 | 23 | 13,5 | 43,5 | 3,3 | 15° | M 12x45            | 1/2 x 1 3/4  | 1,16              |    |
| 420   | 1 1/2"                                 | AFS 405 T       | 1 7/8"-12UN               | 38 | 79,3 | 112 | 36,5 | 94 | 50 | 30 | 23 | 17,0 | 49,8 | 3,3 | 15° | M 16x50            | 5/8 x 2      | 1,65              |    |

\*1 oder vergleichbare Güte / or comparable material