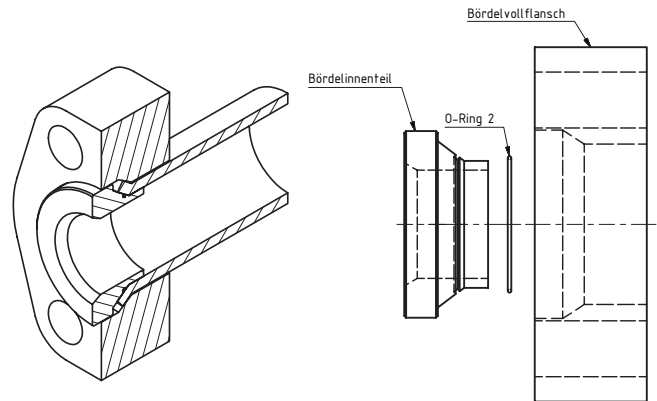


150 | SAE-Bördelflansch mit Dichtring Typ B - 3000 PSI – flach

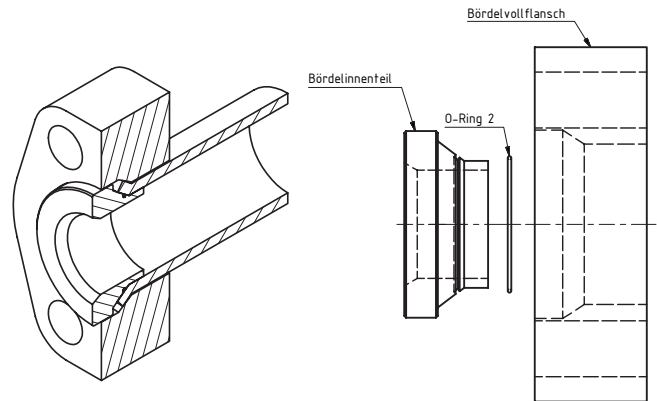
SAE-flare flange with seal typ B



Bestellbezeichnung: ordering code:	S355J2^{*1}	1.4404^{*1}
• nur Bördelvollflansch <i>only flange</i>	FF-...	FF-X-...
• nur Bördelinnenteil <i>only flare flange</i>	FFB-0...-...	FFB-X-0...
• Bördelvollflansch, Bördelinnenteil und O-Ring (Bördelhaltehülse) <i>flange, flare flange and o-ring (flare shell)</i>	FFB-...-...	FFB-X-...-...

S.A.E. Baugröße <i>nominal flange size</i>	Rohrmaß <i>pipe diameter</i>	Typ <i>type</i>	Einzelteile <i>individual parts</i>				Gewicht <i>weight</i>
			Bördelinnenteil	O-Ring 2	Bördelhaltehülse	Bördel-vollflansch	
kg/cm ²						kg	
1/2"	16x2,0	FFB-301-16x2	FFB-001-16x2	O-RING-12x1	HFF-001-16	FF-3001	0,22
1/2"	18x2,0	FFB-301-18x2	FFB-001-18x2	O-RING-14x1	HFF-001-18	FF-3001	0,22
1/2"	19,05x2,11	FFB-301-19,05x2,11	FFB-001-19,05x2,11	O-RING-14x1	-	FF-3001	0,22
1/2"	19,05x2,41	FFB-301-19,05x2,41	FFB-001-19,05x2,41	O-RING-14x1	-	FF-3001	0,22
1/2"	19,05x2,77	FFB-301-19,05x2,77	FFB-001-19,05x2,41	O-RING-14x1	-	FF-3001	0,22
1/2"	20x2,0	FFB-301-20x2	FFB-001-20x2	O-RING-16x1	HFF-001-20	FF-3001	0,22
1/2"	21,3x3,7	FFB-301-21,3x3,7	FFB-001-21,3x3,7	O-RING-14x1	-	FF-3001	0,22
1/2"	21,3x4,8	FFB-301-21,3x4,8	FFB-001-21,3x4,8	O-RING-14x1	-	FF-3001	0,22
1/2"	25x2,5	FFB-301-25x2,5	FFB-001-25x2,5	O-RING-20x1	-	FF-3001	0,22
1/2"	30x3,0	FFBA-301-30x3	FFB-001-30x3	O-RING-20x1	-	FF-3001	0,22
3/4"	20x2,0	FFB-302-20x2	FFB-002-20x2	O-RING-16x1	HFF-002-20	FF-3002	0,4
3/4"	20x2,5	FFB-302-20x2,5	FFB-002-20x2,5	O-RING-15x1	HFF-002-20	FF-3002	0,3
3/4"	25x2,5	FFB-302-25x2,5	FFB-002-25x2,5	O-RING-20x1	HFF-002-25	FF-3002	0,35
3/4"	25x3,0	FFB-302-25x3	FFB-002-25x3	O-RING-19x1	HFF-002-25	FF-3002	0,35
3/4"	26,7x3,91	FFB-302-26,7x3,91	FFB-002-26,7x3,91	O-RING-20x1	-	FF-3002	0,3
3/4"	26,7x5,56	FFB-302-26,7x5,56	FFB-002-26,7x5,56	O-RING-16x1	-	FF-3002	0,3
3/4"	30x3,0	FFB-302-30x3	FFB-002-30x3	O-RING-23x1	-	FF-3002	0,3
1"	25x2,5	FFB-303-25x2,5	FFB-003-25x2,5	O-RING-20x1	HFF-003-25	FF-3003	0,5
1"	25x3,0	FFB-303-25x3	FFB-003-25x3	O-RING-19x1	HFF-003-25	FF-3003	0,5
1"	30x3,0	FFB-303-30x3	FFB-003-30x3	O-RING-23x1	HFF-003-30	FF-3003	0,45
1"	30x4,0	FFB-303-30x4	FFB-003-30x4	O-RING-22x1	HFF-003-30	FF-3003	0,45
1"	33,4x3,38	FFB-303-33,4-3,38	FFB-003-33,4-3,38	O-RING-25x1	-	FF-3003	0,5
1"	33,4x4,55	FFB-303-33,4-4,55	FFB-003-33,4-4,55	O-RING-23x1	-	FF-3003	0,5
1"	38x4,0	FFB-303-38x4	FFB-003-38x4	O-RING-30x1	-	FF-3003	0,4

*1 oder vergleichbare Güte / or comparable material



Bestellbezeichnung: ordering code:	S355J2^{*1}	1.4404^{*1}
• nur Bördelvollflansch only flange	FF-...	FF-X-...
• nur Bördelinnenteil only flare flange	FFB-0...-...	FFB-X-0...
• Bördelvollflansch, Bördelinnenteil und O-Ring (Bördelhaltehülse) flange, flare flange and o-ring (flare shell)	FFB-...-...	FFB-X-...-...

S.A.E. Baugröße nominal flange size	Rohrmaß pipe diameter	Typ type	Einzelteile individual parts				Gewicht weight
			Bördelinnenteil	O-Ring 2	Bördelhaltehülse	Bördel-vollflansch	
kg/cm ²							kg
1 1/4"	30x3,0	FFB-304-30x3	FFB-004-30x3	O-RING-23x1	HFF-004-30	FF-3004	0,6
1 1/4"	30x4,0	FFB-304-30x4	FFB-004-30x4	O-RING-22x1	HFF-004-30	FF-3004	0,5
1 1/4"	38x4,0	FFB-304-38x4	FFB-004-38x4	O-RING-30x1	HFF-004-38	FF-3004	0,6
1 1/4"	38x5,0	FFB-304-38x5	FFB-004-38x5	O-RING-28x1	HFF-004-38	FF-3004	0,55
1 1/4"	42x4,0	FFB-304-42x4	FFB-004-42x4	O-RING-34x1	-	FF-3004	0,5
1 1/4"	42,2X3,56	FFB-304-42,4x3,56	FFB-004-42,4x3,56	O-RING-34x1	-	FF-3004	0,6
1 1/4"	42,2X4,85	FFB-304-42,4x4,85	FFB-004-42,4x4,85	O-RING-32x1	-	FF-3004	0,6
1 1/2"	30x3,0	FFB-305-30x3	FFB-005-30x3	O-RING-23x1	HFF-005-30	FF-3005	0,9
1 1/2"	38x4,0	FFB-305-38-4	FFB-005-38-4	O-RING-30x1	HFF-005-38	FF-3005	1
1 1/2"	42x4,0	FFB-305-42-4	FFB-005-42-4	O-RING-34x1	HFF-005-42	FF-3005	1
1 1/2"	48,3X3,68	FFB-305-48,3x3,68	FFB-005-48,3x3,68	O-RING-41X1,78	-	FF-3005	0,9
1 1/2"	48,3X5,08	FFB-305-48,3x5,08	FFB-005-48,3x5,08	O-RING-37,82X1,78	-	FF-3005	0,9
1 1/2"	50x5,0	FFB-305-50x5	FFB-005-50x5	O-RING-41X1,78	-	FF-3005	0,9
2"	50x5,0	FFB-306-50x5	FFB-006-50x5	O-RING-41X1,78	HFF-006-50	FF-3006	1,4
2"	60x5,0	FFB-306-60x5	FFB-006-60x5	O-RING-50,52X1,78	-	FF-3006	1,25
2"	60x6,0	FFB-306-60x6	FFB-006-60x6	O-RING-47,35X1,78	-	FF-3006	1,25
2"	60,3X3,91	FFB-306-60,3x3,91	FFB-006-60,3x3,91	O-RING-50,52X1,78	-	FF-3006	1,4
2"	60,3X5,54	FFB-306x60,3x5,54	FFB-006x60,3x5,54	O-RING-47,35X1,78	-	FF-3006	1,4
2 1/2"	60x5,0	FFB-307-60x5	FFB-007-60x5	O-RING-50,52X1,78	HFF-007-60	FF-3007	2,1
2 1/2"	73x7,0	FFB-307-73x7	FFB-007-73x7	O-RING-56,8x1,78	-	FF-3007	1,9
2 1/2"	73x5,16	FFB-307-73x5,16	FFB-007-73x5,16	O-RING-63,22X1,78	-	FF-3007	1,9
2 1/2"	73x7,01	FFB-307-73x7,01	FFB-007-73x7,01	O-RING-56,87X1,78	-	FF-3007	1,9
2 1/2"	75x5,0	FFB-307-75x5	FFB-007-75x5	O-RING-63,22X1,78	-	FF-3007	1,9
3"	73x3,0	FFB-308-73x3	FFB-008-73x3	O-RING-63,22X1,78	HFF-008-73	FF-3008	2,9
3"	88,9X5,49	FFB-308-88,9x5,49	FFB-008-88,9x5,49	O-RING-79X1,78	-	FF-3008	3,1
3"	88,9X7,62	FFB-308-88,9x7,62	FFB-008-88,9x7,62	O-RING-72,75X1,78	-	FF-3008	3,1
3"	90x5,0	FFB-308-90x5	FFB-008x90x5	O-RING-79X1,78	-	FF-3008	3,1

*1 oder vergleichbare Güte / or comparable material