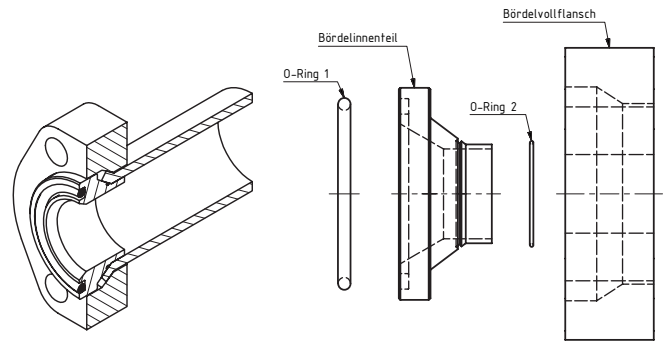


<b>Bestellbezeichnung:</b> ordering code:	<b>S355J2<sup>*1</sup></b>	<b>1.4404<sup>*1</sup></b>
• nur Bördelvollflansch only flange	FF-...	FF-X-...
• nur Bördelinnenteil only flare flange	FFA-0.-...	FFA-X-0...
• Bördelvollflansch, Bördelteil und 2x O-Ring (Bördelhaltehülse) flange, flare flange and 2 x o-ring (flare shell)	FFA-...-...	FFA-X-...-...

S.A.E. Baugröße nominal flange size	Rohrmaß pipe diameter	Flansch Typ flange type	Einzelteile individual parts					Gewicht weight
			Bördelteil	O-Ring 1	O-Ring 2	Bördelhaltehülse	Bördelvollflansch	
<b>Hochdruckreihe / High pressure</b>								
1/2"	16x2,0	FFA-601-16x2	FFA-001-16x2	O-Ring-18,64x3,53	O-RING-12x1	HFF-001-16	FF-6001	0,3
1/2"	18x2,0	FFA-601-18x2	FFA-001-18x2	O-Ring-18,64x3,53	O-RING-14x1	HFF-001-18	FF-6001	0,3
1/2"	20x2,0	FFA-601-20x2	FFA-001-20x2	O-Ring-18,64x3,53	O-RING-16x1	HFF-001-20	FF-6001	0,25
1/2"	21,3x3,7	FFA-601-21,3x3,7	FFA-001-21,3x3,7	O-Ring-18,64x3,53	O-RING-14x1	-	FF-6001	0,25
1/2"	21,3x4,8	FFA-601-21,3x4,8	FFA-001-21,3x4,8	O-Ring-18,64x3,53	O-RING-14x1	-	FF-6001	0,25
1/2"	25x2,5	FFA-601-25x2,5	FFA-001-25x2,5	O-Ring-18,64x3,53	O-RING-20x1	-	FF-6001	0,24
1/2"	25x3,0	FFA-601-25x3,0	FFA-001-25x3,0	O-Ring-18,64x3,53	O-RING-19x1	-	FF-6001	0,24
1/2"	30x3,0	FFA-601-30x3	FFA-001-30x3	O-Ring-18,64x3,53	O-RING-20x1	-	FF-6001	0,24
3/4"	20x2,0	FFA-602-20x2	FFA-002-20x2	O-RING-25,0x3,53	O-RING-16x1	HFF-002-20	FF-6002	0,4
3/4"	20x2,5	FFA-602-20x2,5	FFA-002-20x2,5	O-RING-25,0x3,53	O-RING-15x1	HFF-002-20	FF-6002	0,3
3/4"	25x2,5	FFA-602-25x2,5	FFA-002-25x2,5	O-RING-25,0x3,53	O-RING-20x1	HFF-002-25	FF-6002	0,35
3/4"	25x3,0	FFA-602-25x3	FFA-002-25x3	O-RING-25,0x3,53	O-RING-19x1	HFF-002-25	FF-6002	0,35
3/4"	26,7x3,9	FFA-602-26,7x3,9	FFA-002-26,7x3,9	O-RING-25,0x3,53	O-RING-20x1	-	FF-6002	0,3
3/4"	26,7x5,5	FFA-602-26,7x5,5	FFA-002-26,7x5,5	O-RING-25,0x3,53	O-RING-16x1	-	FF-6002	0,3
3/4"	30x3,0	FFA-602-30x3	FFA-002-30x3	O-RING-25,0x3,53	O-RING-23x1	-	FF-6002	0,3
1"	25x2,5	FFA-603-25x2,5	FFA-003-25x2,5	O-RING-32,9x3,53	O-RING-20x1	HFF-003-25	FF-6003	0,5
1"	25x3,0	FFA-603-25x3	FFA-003-25x3	O-RING-32,9x3,53	O-RING-19x1	HFF-003-25	FF-6003	0,5
1"	30x3,0	FFA-603-30x3	FFA-003-30x3	O-RING-32,9x3,53	O-RING-23x1	HFF-003-30	FF-6003	0,45
1"	30x4,0	FFA-603-30x4	FFA-003-30x4	O-RING-32,9x3,53	O-RING-22x1	HFF-003-30	FF-6003	0,45
1"	33,4x3,4	FFA-603-33,4-3,4	FFA-003-33,4-3,4	O-RING-32,9x3,53	O-RING-25x1	-	FF-6003	0,5
1"	33,4x4,5	FFA-603-33,4-4,5	FFA-003-33,4-4,5	O-RING-32,9x3,53	O-RING-23x1	-	FF-6003	0,5
1"	38x4,0	FFA-603-38x4	FFA-003-38x4	O-RING-32,9x3,53	O-RING-30x1	-	FF-6003	0,4

\*1 oder vergleichbare Güte / or comparable material



<b>Bestellbezeichnung:</b> ordering code:	<b>S355J2*1</b>	<b>1.4404*1</b>
• nur Bördelvollflansch only flange	FF-...	FF-X-...
• nur Bördelinnenteil only flare flange	FFA-0-...	FFA-X-0...
• Bördelvollflansch, Bördelteil und 2x O-Ring (Bördelhaltehülse) flange, flare flange and 2 x o-ring (flare shell)	FFA-...-...	FFA-X-...-...

S.A.E. Baugröße nominal flange size	Rohrmaß pipe diameter	Flansch Typ flange type	Einzelteile individual parts					Gewicht weight
			Bördelteil	O-Ring 1	O-Ring 2	Bördelhaltehülse	Bördelvollflansch	
<b>Hochdruckreihe / High pressure</b>								
1 1/4"	30x3,0	FFA-604-30x3	FFA-004-30x3	O-RING-37,7x3,53	O-RING-23x1	HFF-004-30	FF-6004	0,6
1 1/4"	30x4,0	FFA-604-30x4	FFA-004-30x4	O-RING-37,7x3,53	O-RING-22x1	HFF-004-30	FF-6004	0,5
1 1/4"	38x4,0	FFA-604-38x4	FFA-004-38x4	O-RING-37,7x3,53	O-RING-30x1	HFF-004-38	FF-6004	0,6
1 1/4"	38x5,0	FFA-604-38x5	FFA-004-38x5	O-RING-37,7x3,53	O-RING-28x1	HFF-004-38	FF-6004	0,55
1 1/4"	42x4,0	FFA-604-42x4	FFA-004-42x4	O-RING-37,7x3,53	O-RING-34x1	-	FF-6004	0,5
1 1/4"	42,2x3,6	FFA-604-42,4x3,6	FFA-004-42,4x3,6	O-RING-37,7x3,53	O-RING-34x1	-	FF-6004	0,6
1 1/4"	42,2x4,8	FFA-604-42,4x4,8	FFA-004-42,4x4,8	O-RING-37,7x3,53	O-RING-32x1	-	FF-6004	0,6
1 1/2"	30x3,0	FFA-605-30x3	FFA-005-30x3	O-Ring-47,2x3,53	O-RING-23x1	HFF-005-30	FF-6005	1,7
1 1/2"	38x4,0	FFA-605-38x4	FFA-005-38x4	O-RING-47,2x3,53	O-RING-30x1	HFF-005-38	FF-6005	1,7
1 1/2"	38x5,0	FFA-605-38x5	FFA-005-38x5	O-RING-47,2x3,53	O-RING-28x1	HFF-005-38	FF-6005	1,7
1 1/2"	42x4,0	FFA-605-42x4	FFA-005-42x4	O-RING-47,2x3,53	O-RING-34x1	HFF-005-42	FF-6005	1,7
1 1/2"	48,3x3,7	FFA-605-48,3x3,7	FFA-005-48,3x3,7	O-RING-47,2x3,53	O-RING-41x1,78	-	FF-6005	0,9
1 1/2"	48,3x5,1	FFA-605-48,3x5,1	FFA-005-48,3x5,1	O-RING-47,2x3,53	O-RING-37,82x1,78	-	FF-6005	0,9
1 1/2"	50x5,0	FFA-605-50x5	FFA-005-50x5	O-RING-47,2x3,53	O-RING-41x1,78	-	FF-6005	0,9
2"	50x5,0	FFA-606-50x5	FFA-006-50x5	O-RING-56,7x3,53	O-RING-41x1,78	HFF-006-50	FF-6006	1,4
2"	60x5,0	FFA-606-60x5	FFA-006-60x5	O-RING-56,7x3,53	O-RING-50,52x1,78	-	FF-6006	1,25
2"	60x6,0	FFA-606-60x6	FFA-006-60x6	O-RING-56,7x3,53	O-RING-47,35x1,78	-	FF-6006	1,25
2"	60,3x3,9	FFA-606-60,3x3,9	FFA-006-60,3x3,9	O-RING-56,7x3,53	O-RING-50,52x1,78	-	FF-6006	1,4
2"	60,3x5,5	FFA-606-60,3x5,5	FFA-006-60,3x5,5	O-RING-56,7x3,53	O-RING-47,35x1,78	-	FF-6006	1,4

\*1 oder vergleichbare Güte / or comparable material