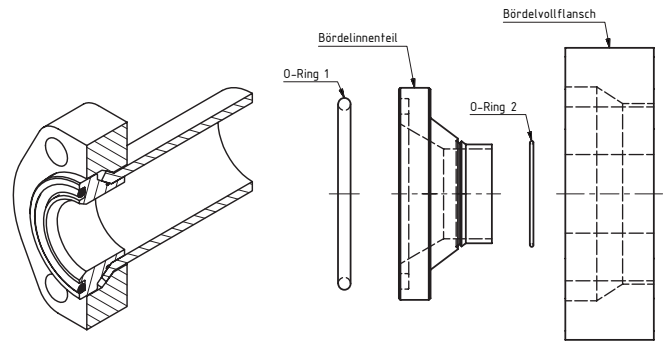


<b>Bestellbezeichnung:</b> ordering code:	<b>S355J2<sup>*1</sup></b>	<b>1.4404<sup>*1</sup></b>
• nur Bördelvollflansch only flange	FF-...	FF-X-...
• nur Bördelinnteil only flare flange	FFA-0...-...	FFA-X-0...
• Bördelvollflansch, Bördelteil und 2x O-Ring (Bördelhaltehülse) flange, flare flange and 2 x o-ring (flare shell)	FFA-...-...	FFA-X-...-...

S.A.E. Baugröße nominal flange size	Rohrmaß pipe diameter	Flansch Typ flange type	Einzelteile individual parts					Gewicht weight
			Bördelinnteil	O-Ring 1	O-Ring 2	Bördelhaltehülse	Bördelvollflansch	
Inch								kg
<b>Hochdruckreihe / High pressure</b>								
1/2"	16x2,0	FFA-301-16x2	FFA-001-16x2	O-Ring-18,64x3,53	O-RING-12x1	HFF-001-16	FF-3001	0,22
1/2"	18x2,0	FFA-301-18x2	FFA-001-18x2	O-Ring-18,64x3,53	O-RING-14x1	HFF-001-18	FF-3001	0,22
1/2"	19,05x2,11	FFA-301-19,05x2,11	FFA-001-19,05x2,11	O-Ring-18,64x3,53	O-RING-14x1	-	FF-3001	0,22
1/2"	19,05x2,41	FFA-301-19,05x2,41	FFA-001-19,05x2,41	O-Ring-18,64x3,53	O-RING-14x1	-	FF-3001	0,22
1/2"	19,05x2,77	FFA-301-19,05x2,77	FFA-001-19,05x2,41	O-Ring-18,64x3,53	O-RING-14x1	-	FF-3001	0,22
1/2"	20x2,0	FFA-301-20x2	FFA-001-20x2	O-Ring-18,64x3,53	O-RING-16x1	HFF-001-20	FF-3001	0,22
1/2"	21,3x3,7	FFA-301-21,3x3,7	FFA-001-21,3x3,7	O-Ring-18,64x3,53	O-RING-14x1	-	FF-3001	0,22
1/2"	21,3x4,8	FFA-301-21,3x4,8	FFA-001-21,3x4,8	O-Ring-18,64x3,53	O-RING-14x1	-	FF-3001	0,22
1/2"	25x2,5	FFA-301-25x2,5	FFA-001-25x2,5	O-Ring-18,64x3,53	O-RING-20x1	-	FF-3001	0,22
1/2"	30x3,0	FFA-301-30x3	FFA-001-30x3	O-Ring-18,64x3,53	O-RING-20x1	-	FF-3001	0,22
3/4"	20x2,0	FFA-302-20x2	FFA-002-20x2	O-RING-25,0X3,53	O-RING-16x1	HFF-002-20	FF-3002	0,4
3/4"	20x2,5	FFA-302-20x2,5	FFA-002-20x2,5	O-RING-25,0X3,53	O-RING-15x1	HFF-002-20	FF-3002	0,3
3/4"	25x2,5	FFA-302-25x2,5	FFA-002-25x2,5	O-RING-25,0X3,53	O-RING-20x1	HFF-002-25	FF-3002	0,35
3/4"	25x3,0	FFA-302-25x3	FFA-002-25x3	O-RING-25,0X3,53	O-RING-19x1	HFF-002-25	FF-3002	0,35
3/4"	26,7x3,91	FFA-302-26,7x3,91	FFA-002-26,7x3,91	O-RING-25,0X3,53	O-RING-20x1	-	FF-3002	0,3
3/4"	26,7x5,56	FFA-302-26,7x5,56	FFA-002-26,7x5,56	O-RING-25,0X3,53	O-RING-16x1	-	FF-3002	0,3
3/4"	30x3,0	FFA-302-30x3	FFA-002-30x3	O-RING-25,0X3,53	O-RING-23x1	-	FF-3002	0,3
1"	25x2,5	FFA-303-25x2,5	FFA-003-25x2,5	O-RING-32,9X3,53	O-RING-20x1	HFF-003-25	FF-3003	0,5
1"	25x3,0	FFA-303-25x3	FFA-003-25x3	O-RING-32,9X3,53	O-RING-19x1	HFF-003-25	FF-3003	0,5
1"	30x3,0	FFA-303-30x3	FFA-003-30x3	O-RING-32,9X3,53	O-RING-23x1	HFF-003-30	FF-3003	0,45
1"	30x4,0	FFA-303-30x4	FFA-003-30x4	O-RING-32,9X3,53	O-RING-22x1	HFF-003-30	FF-3003	0,45
1"	33,4X3,38	FFA-303-33,4-3,38	FFA-003-33,4-3,38	O-RING-32,9X3,53	O-RING-25x1	-	FF-3003	0,5
1"	33,4X4,55	FFA-303-33,4-4,55	FFA-003-33,4-4,55	O-RING-32,9X3,53	O-RING-23x1	-	FF-3003	0,5
1"	38x4,0	FFA-303-38x4	FFA-003-38x4	O-RING-32,9X3,53	O-RING-30x1	-	FF-3003	0,4

\*1 oder vergleichbare Güte / or comparable material



<b>Bestellbezeichnung:</b> ordering code:	<b>S355J2<sup>*1</sup></b>	<b>1.4404<sup>*1</sup></b>
• nur Bördelvollflansch only flange	FF-...	FF-X-...
• nur Bördelinnenteil only flare flange	FFA-0...-...	FFA-X-0...
• Bördelvollflansch, Bördelteil und 2x O-Ring (Bördelhaltehülse) flange, flare flange and 2 x o-ring (flare shell)	FFA-...-...	FFA-X-...-...

S.A.E. Baugröße nominal flange size	Rohrmaß pipe diameter	Flansch Typ flange type	Einzelteile individual parts					Gewicht weight kg
			Bördelinnenteil	O-Ring 1	O-Ring 2	Bördelhaltehülse	Bördelvollflansch	
<b>Hochdruckreihe / High pressure</b>								
1 1/4"	30x3,0	FFA-304-30x3	FFA-004-30x3	O-RING-37,7X3,53	O-RING-23x1	HFF-004-30	FF-3004	0,6
1 1/4"	30x4,0	FFA-304-30x4	FFA-004-30x4	O-RING-37,7X3,53	O-RING-22x1	HFF-004-30	FF-3004	0,5
1 1/4"	38x4,0	FFA-304-38x4	FFA-004-38x4	O-RING-37,7X3,53	O-RING-30x1	HFF-004-38	FF-3004	0,6
1 1/4"	38x5,0	FFA-304-38x5	FFA-004-38x5	O-RING-37,7X3,53	O-RING-28x1	HFF-004-38	FF-3004	0,55
1 1/4"	42x4,0	FFA-304-42x4	FFA-004-42x4	O-RING-37,7X3,53	O-RING-34x1	-	FF-3004	0,5
1 1/4"	42,2X3,56	FFA-304-42,4x3,56	FFA-004-42,4x3,56	O-RING-37,7X3,53	O-RING-34x1	-	FF-3004	0,6
1 1/4"	42,2X4,85	FFA-304-42,4x4,85	FFA-004-42,4x4,85	O-RING-37,7X3,53	O-RING-32x1	-	FF-3004	0,6
1 1/2"	30x3,0	FFA-305-30x3	FFA-005-30x3	O-Ring-47,2X3,53	O-RING-23x1	HFF-005-30	FF-3005	0,9
1 1/2"	38x4,0	FFA-305-38-4	FFA-005-38-4	O-RING-47,2X3,53	O-RING-30x1	HFF-005-38	FF-3005	1
1 1/2"	42x4,0	FFA-305-42-4	FFA-005-42-4	O-RING-47,2X3,53	O-RING-34x1	HFF-005-42	FF-3005	1
1 1/2"	48,3X3,68	FFA-305-48,3x3,68	FFA-005-48,3x3,68	O-RING-47,2X3,53	O-RING-41X1,78	-	FF-3005	0,9
1 1/2"	48,3X5,08	FFA-305-48,3x5,08	FFA-005-48,3x5,08	O-RING-47,2X3,53	O-RING-37,82X1,78	-	FF-3005	0,9
1 1/2"	50x5,0	FFA-305-50x5	FFA-005-50x5	O-RING-47,2X3,53	O-RING-41X1,78	-	FF-3005	0,9
2"	50x5,0	FFA-306-50x5	FFA-006-50x5	O-RING-56,7X3,53	O-RING-41X1,78	HFF-006-50	FF-3006	1,4
2"	60x5,0	FFA-306-60x5	FFA-006-60x5	O-RING-56,7X3,53	O-RING-50,52X1,78	-	FF-3006	1,25
2"	60x6,0	FFA-306-60x6	FFA-006-60x6	O-RING-56,7X3,53	O-RING-47,35X1,78	-	FF-3006	1,25
2"	60,3X3,91	FFA-306-60,3x3,91	FFA-006-60,3x3,91	O-RING-56,7X3,53	O-RING-50,52X1,78	-	FF-3006	1,4
2"	60,3X5,54	FFA-306x60,3x5,54	FFA-006x60,3x5,54	O-RING-56,7X3,53	O-RING-47,35X1,78	-	FF-3006	1,4
2 1/2"	60x5,0	FFA-307-60x5	FFA-007-60x5	O-RING-69,4X3,53	O-RING-50,52X1,78	HFF-007-60	FF-3007	2,1
2 1/2"	73x7,0	FFA-307-73x7	FFA-007-73x7	O-RING-69,4X3,53	O-RING-56,8x1,78	-	FF-3007	1,9
2 1/2"	73x5,16	FFA-307-73x5,16	FFA-007-73x5,16	O-RING-69,4X3,53	O-RING-63,22X1,78	-	FF-3007	1,9
2 1/2"	73x7,01	FFA-307-73x7,01	FFA-007-73x7,01	O-RING-69,4X3,53	O-RING-56,87X1,78	-	FF-3007	1,9
2 1/2"	75x5,0	FFA-307-75x5	FFA-007-75x5	O-RING-69,4X3,53	O-RING-63,22X1,78	-	FF-3007	1,9
3"	73x3,0	FFA-308-73x3	FFA-008-73x3	O-RING-85,3X3,53	O-RING-63,22X1,78	HFF-008-73	FF-3008	2,9
3"	88,9X5,49	FFA-308-88,9x5,49	FFA-008-88,9x5,49	O-RING-85,3X3,53	O-RING-79X1,78	-	FF-3008	3,1
3"	88,9X7,62	FFA-308-88,9x7,62	FFA-008-88,9x7,62	O-RING-85,3X3,53	O-RING-72,75X1,78	-	FF-3008	3,1
3"	90x5,0	FFA-308-90x5	FFA-008x90x5	O-RING-85,3X3,53	O-RING-79X1,78	-	FF-3008	3,1

\*1 oder vergleichbare Güte / or comparable material