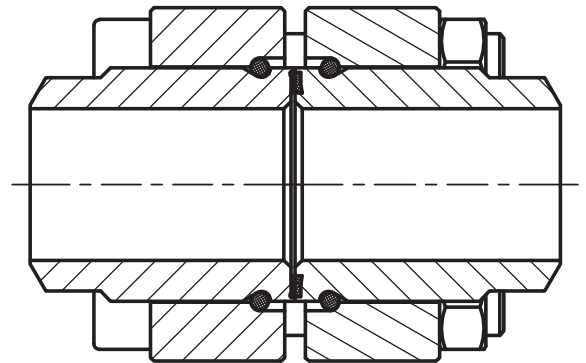
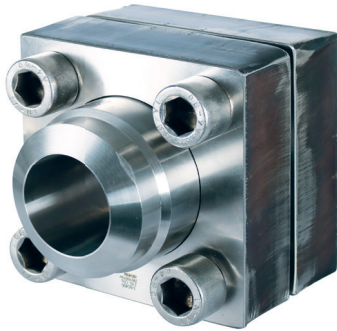


Bestellbezeichnung: ordering code:	S355J2^{*1}	1.4404^{*1}
• Vollflansch mit Bund, Haltering, Dichtung + Schrauben flange clamp with weld neck, retaining, Bonded seal + screws	VKRK-...-...M	VKRK-X-...-...MX

Baugröße nominal flange size	Rohrmaß pipe diameter	Typ type				Gewicht weight
			Halteringbund	Halteringgegenbund	Haltering Vollflansch	
Inch						kg
ISO6164						
1 1/2"	38x5	VKRK-38/38x5	RRF-005-38x5	GRRF-005-38x5	VKR-38	3,52
1 1/2"	48,3x2,8	VKRK-38/48,3x2,8	RRF-005-48,3x2,8	GRRF-005-48,3x2,8	VKR-38	3,52
1 1/2"	48,3x3,7	VKRK-38/48,3x3,7	RRF-005-48,3x3,7	GRRF-005-48,3x3,7	VKR-38	3,52
1 1/2"	48,3x5,1	VKRK-38/48,3x5,1	RRF-005-48,3x5,1	GRRF-005-48,3x5,1	VKR-38	3,52
1 1/2"	48,3x7,1	VKRK-38/48,3x7,1	RRF-005-48,3x7,1	GRRF-005-48,3x7,1	VKR-38	3,52
1 1/2"	48,3x10,2	VKRK-38/48,3x10,2	RRF-005-48,3x10,2	GRRF-005-48,3x10,2	VKR-38	3,52
1 1/2"	50x5	VKRK-38/50x5	RRF-005-50x5	GRRF-005-50x5	VKR-38	3,52
1 1/2"	50x6	VKRK-38/50x6	RRF-005-50x6	GRRF-005-50x6	VKR-38	3,52
1 1/2"	50x9	VKRK-38/50x9	RRF-005-50x9	GRRF-005-50x9	VKR-38	3,52
1 1/2"	56x8,5	VKRK-38/56x8,5	RRF-005-56x8,5	GRRF-005-56x8,5	VKR-38	3,74
2"	48,3x5,1	VKRK-40/48,3x5,1	RRF-006-48,3x5,1	GRRF-006-48,3x5,1	VKR-40	5,06
2"	50x9	VKRK-40/50x9	RRF-006-50x9	GRRF-006-50x9	VKR-40	4,4
2"	60x5	VKRK-40/60x5	RRF-006-60x5	GRRF-006-60x5	VKR-40	4,84
2"	60x6	VKRK-40/60x6	RRF-006-60x6	GRRF-006-60x6	VKR-40	5,06
2"	60x8	VKRK-40/60x8	RRF-006-60x8	GRRF-006-60x8	VKR-40	5,06
2"	60x10	VKRK-40/60x10	RRF-006-60x10	GRRF-006-60x10	VKR-40	5,06
2"	60,3x2,8	VKRK-40/60,3x2,8	RRF-006-60,3x2,8	GRRF-006-60,3x2,8	VKR-40	5,06
2"	60,3x3,9	VKRK-40/60,3x3,9	RRF-006-60,3x3,9	GRRF-006-60,3x3,9	VKR-40	5,06
2"	60,3x5,6	VKRK-40/60,3x5,6	RRF-006-60,3x5,6	GRRF-006-60,3x5,6	VKR-40	5,06
2"	60,3x8,8	VKRK-40/60,3x8,8	RRF-006-60,3x8,8	GRRF-006-60,3x8,8	VKR-40	5,5
2"	60,3x11,1	VKRK-40/60,3x11,1	RRF-006-60,3x11,1	GRRF-006-60,3x11,1	VKR-40	5,5
2"	66x8,5	VKRK-40/66x8,5	RRF-006-66x8,5	GRRF-006-66x8,5	VKR-40	5,5

Weitere Größen auf Anfrage

*1 oder vergleichbare Güte / or comparable material



Bestellbezeichnung: ordering code:	S355J2^{*1}	1.4404^{*1}
• Vollflansch mit Bund, Haltering, Dichtung + Schrauben flange clamp with weld neck, retaining, Bonded seal + screws	VKRK-...-...M	VKRK-X-...-...MX

Baugröße nominal flange size	Rohrmaß pipe diameter	Typ type				Gewicht weight
			Halteringbund	Halteringgegenbund	Haltering Vollflansch	
Inch						kg
ISO6164						
2 1/2"	65x8	VKRK-50/65x8	RRF-007-65x8	GRRF-007-65x8	VKR-50	7,04
2 1/2"	73x7	VKRK-50/73x7	RRF-007-73x7	GRRF-007-73x7	VKR-50	6,82
2 1/2"	73x9,5	VKRK-50/73x9,5	RRF-007-73x9,5	GRRF-007-73x9,5	VKR-50	7,26
2 1/2"	73x14	VKRK-50/73x14	RRF-007-73x14	GRRF-007-73x14	VKR-50	7,7
2 1/2"	75x5	VKRK-50/75x5	RRF-007-75x5	GRRF-007-75x5	VKR-50	7,26
2 1/2"	76,1x6,3	VKRK-50/76,1x6,3	RRF-007-76,1x6,3	GRRF-007-76,1x6,3	VKR-50	6,6
2 1/2"	76,1x12,5	VKRK-50/76,1x12,5	RRF-007-76,1x12,5	GRRF-007-76,1x12,5	VKR-50	7,26
2 1/2"	80x10	VKRK-50/80x10	RRF-007-80x10	GRRF-007-80x10	VKR-50	8,36
3"	76,1x12,5	VKRK-65/76,1x12,5	RRF-008-76,1x12,5	GRRF-008-76,1x12,5	VKR-65	12,32
3"	80x10	VKRK-65/80x10	RRF-008-80x10	GRRF-008-80x10	VKR-65	13,2
3"	88,9x3,2	VKRK-65/88,9x3,2	RRF-008-88,9x3,2	GRRF-008-88,9x3,2	VKR-65	13,2
3"	88,9x5,5	VKRK-65/88,9x5,5	RRF-008-88,9x5,5	GRRF-008-88,9x5,5	VKR-65	13,2
3"	88,9x7,6	VKRK-65/88,9x7,6	RRF-008-88,9x7,6	GRRF-008-88,9x7,6	VKR-65	13,2
3"	88,9x8,8	VKRK-65/88,9x8,8	RRF-008-88,9x8,8	GRRF-008-88,9x8,8	VKR-65	13,42
3"	88,9x11,1	VKRK-65/88,9x11,1	RRF-008-88,9x11,1	GRRF-008-88,9x11,1	VKR-65	13,86
3"	88,9x12,5	VKRK-65/88,9x12,5	RRF-008-88,9x12,5	GRRF-008-88,9x12,5	VKR-65	13,86
3"	88,9x15,3	VKRK-65/88,9x15,3	RRF-008-88,9x15,3	GRRF-008-88,9x15,3	VKR-65	14,3
3"	90x5	VKRK-65/90x5	RRF-008-90x5	GRRF-008-90x5	VKR-65	13,86
3"	97x12	VKRK-65/97x12	RRF-008-97x12	GRRF-008-97x12	VKR-65	15,4

Weitere Größen auf Anfrage

*1 oder vergleichbare Güte / or comparable material